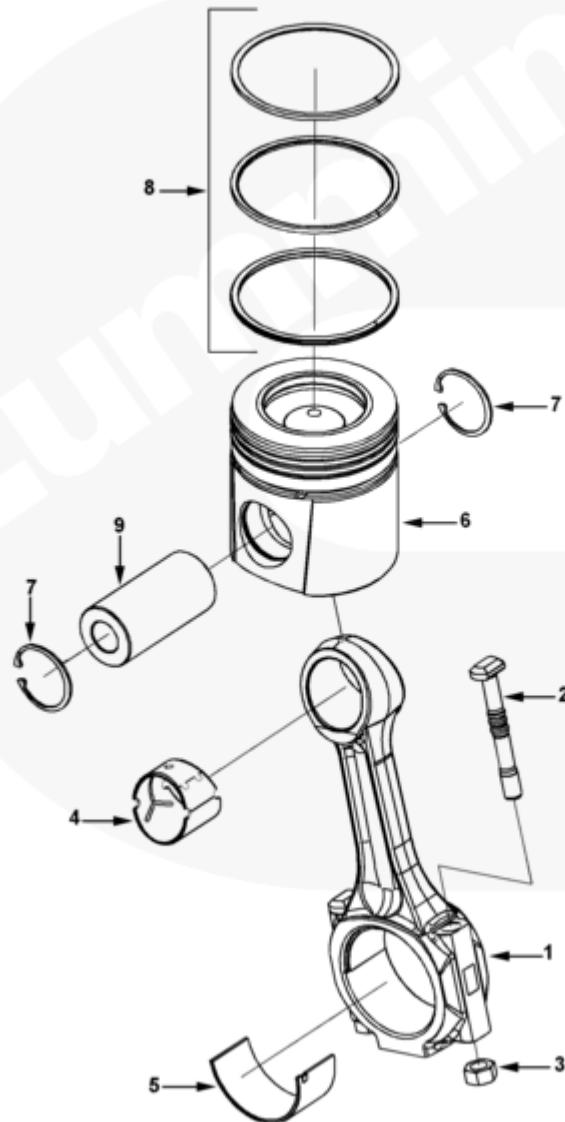
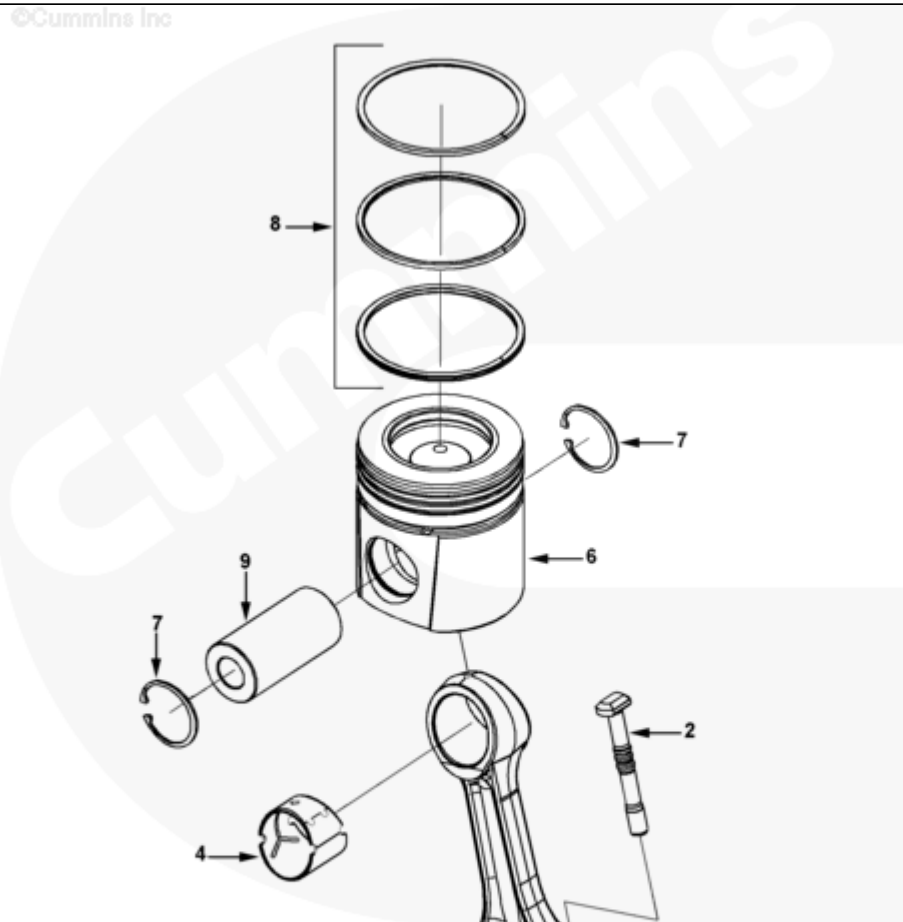




Parts Catalog - Option Detail

Electronic Parts Catalog - Option Detail				
Option	Group	Graphic	Film Card	Date
PP2172-04	01.04	pp920gf	Z	09-SEP-99
Engines	6C8.3, C GAS PLUS CM556, G8.3, G8.3 CM558, GTA8.3 CM558, ISC CM2150, ISC CM554, ISC CM850, ISC8.3 CM2250, ISC8.3 G CM2180 C101, ISL CM2150, ISL CM554, ISL CM850, ISL G CM2180, ISL8.9 CM2150 L110, ISL8.9 CM2880 L112, ISL9 CM2150 SN, ISL9 CM2250, ISL9 CM2350 L101, ISL9 CM2350 L111, ISLE4 CM850, L GAS PLUS CM556, L8.9, L8.9 L121, L8.9G CMOH2.0 L125B, L9 CM2350 L116B, L9 CM2350 L119B, L9 CM2350 L120C, L9 CM2350 L123B, L9.3 L105, L9.5 L117, L9N CM2380 L124B, QSC8.3 CM2250, QSC8.3 CM2880 C102, QSC8.3 CM554, QSC8.3 CM850(CM2850), QSL9 CM2250, QSL9 CM2250 L115, QSL9 CM2350 L102, QSL9 CM2350 L107, QSL9 CM2350 L118, QSL9 CM2350 L122, QSL9 CM554, QSL9 CM850(CM2850), QSL9 G CM558, QSL9 M CM2250 L106, QSL9.3 CM2880 L113			



pp920gf

Cart	Ref No	Part Number	Part Description	Required	Remarks
<input type="button" value="View My Cart"/>					
		PP2172-04	Connecting Rod And Piston		
					Performance Parts For: 6
					CTA8.3 M2
					Engine Family: "C" Series
					Reference: CPL#: 2172
					Certified By: EPA, Lr
					Certification Level: Nox
					Requirements Of The
					International maritime
					organization (imo) marpol
					73/78 annex vi regulation 13.
					Cylinders: 6
					Exhaust manifold type: Wet
					Aspiration: Sea Water
					Aftercooled engine
					certification status:
					Approved fuel pump model:
					Bosch p7100
					High Pressure Fuel Line ID
					(mm): 2.0
					Unique Characteristics: Low
					Swirl Head cylinder head
					valve material: Premium
					Base Turbocharger ID17:
					3538623.
<input type="checkbox"/>		3901383	Engine Connecting Rod	6	Recon Equivalent 3901383 RX
	1	3924350	Engine Connecting Rod	1	
<input type="checkbox"/>	2	3928870	Connecting Rod Bolt	2	

<input type="checkbox"/>	3	3934864	Connecting Rod Nut	2	
<input type="checkbox"/>	4	3913990	Bushing	1	
	5	3901430	Connecting Rod Bearing	12	Standard
				6	
	6	4019886	Engine Piston	1	Sold In Higher Level Assy/Kit
<input type="checkbox"/>	7	3901996	Retaining Ring	2	
<input type="checkbox"/>	8	3802429	Piston Ring Set	1	
<input type="checkbox"/>	9	3901597	Piston Pin	6	
<input type="checkbox"/>	5	3901431	Connecting Rod Bearing	A/R	0.25mm Oversize
<input type="checkbox"/>	5	3901432	Connecting Rod Bearing	A/R	0.50mm Oversize
<input type="checkbox"/>	5	3901433	Connecting Rod Bearing	A/R	0.75mm Oversize
<input type="checkbox"/>	5	3901434	Connecting Rod Bearing	A/R	1.00mm Oversize